

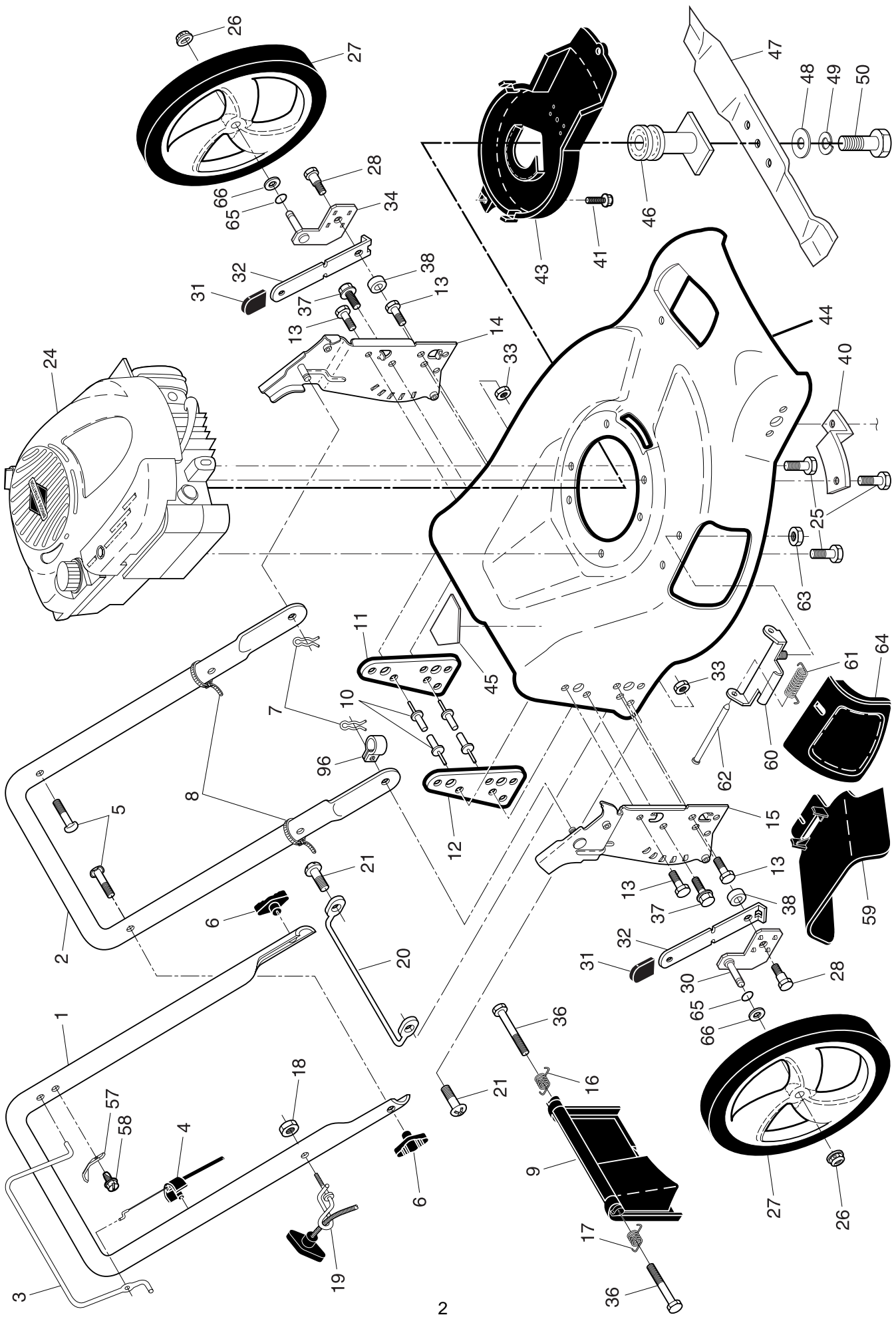
ILLUSTRATED PARTS LIST

MODEL NUMBER PP6553D

PRODUCT NUMBER 961 41 00-81

MFG. ID. NUMBER 96141008102

ROTARY LAWN MOWER - - MODEL NUMBER PP6553D (96141008102) PRODUCT NUMBER 961 41 00-81

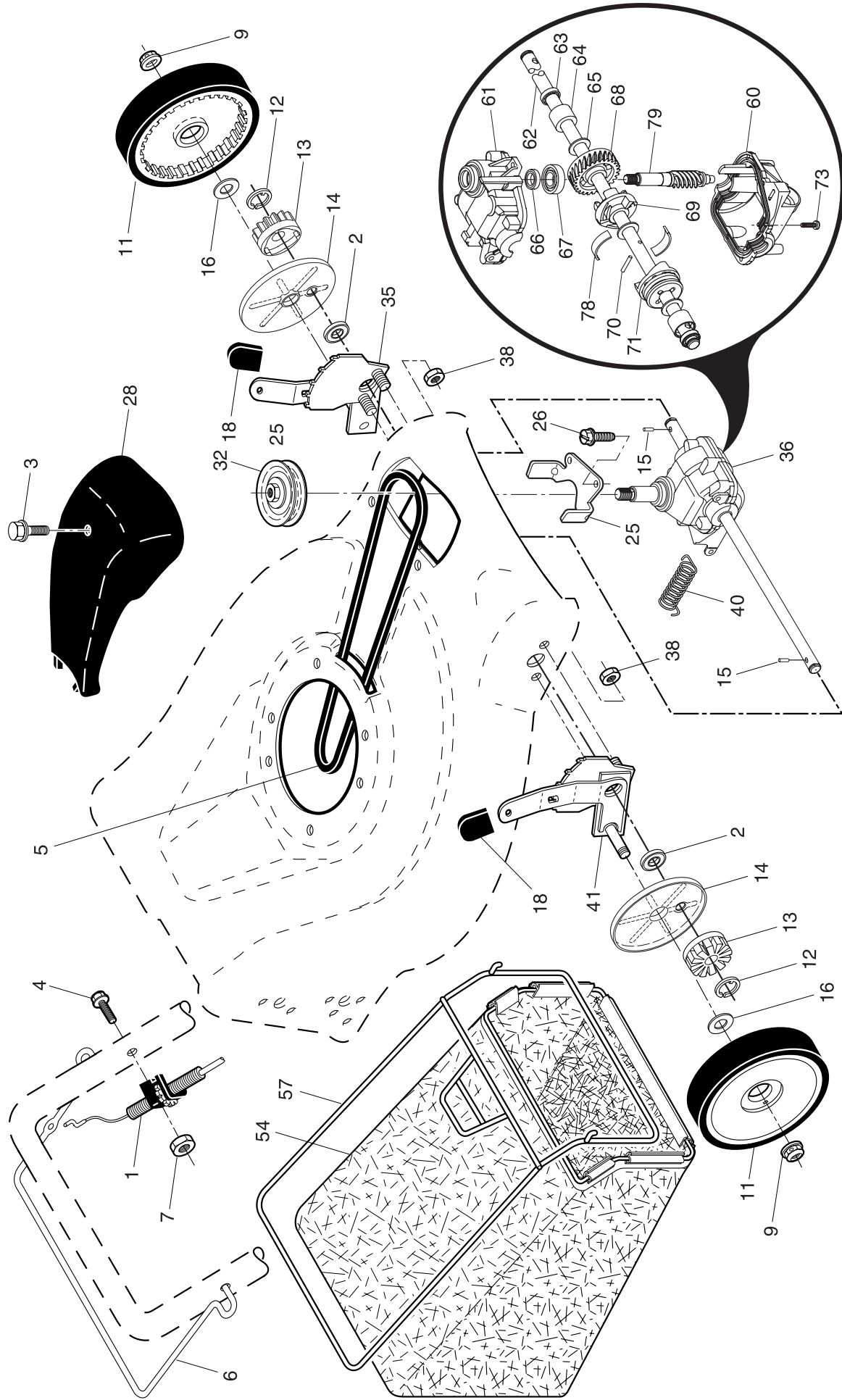


ROTARY LAWN MOWER - - MODEL NUMBER PP6553D (96141008102) PRODUCT NUMBER 961 41 00-81

KEY NO.	PART NO.	DESCRIPTION	KEY NO.	PART NO.	DESCRIPTION
1	532 19 84-59	Upper Handle	34	532 40 25-72	Axle Arm Assembly, Rear, LH
2	532 15 36-05	Lower Handle	36	532 18 41-93	Bolt
3	532 19 84-64	Control Bar	37	874 78 05-12	Thread Cutting Screw w/Sems 5/16-18 x 3/4
4	532 18 35-67	Engine Zone Control Cable	38	819 11 22-06	Washer, Flat 34 x 1.38 x .22
5	532 19 15-74	Handle Bolt	40	532 19 09-39	Mounting Bracket, Debris Shield
6	532 19 19-38	Handle Knob	41	532 19 23-25	Screw
7	532 05 17-93	Hairpin Cotter	43	532 40 58-44	Debris Shield
8	532 06 64-26	Wire Tie	44	532 40 97-64	Kit, Lawn Mower Housing (Includes Key Numbers 10, 11, 12 and 45)
9	532 40 69-85	Rear Door	45	532 18 21-66	Danger Decal
10	532 12 84-15	Pop Rivet	46	532 19 77-52	Blade Adapter / Pulley
11	532 40 65-73	Support Bracket, LH	47	532 19 93-77	Blade, 21"
12	532 40 65-74	Support Bracket, RH	48	532 85 10-74	Hardened Washer
13	817 06 04-10	Screw 1/4-20 x 5/8	49	532 85 02-63	Helical Washer 3/8-24 x 1-3/8 Grade 8
14	532 18 25-43	Handle Bracket Assembly, LH	50	532 85 10-84	Hex Head Machine Screw 3/8-24 x 1-3/8 Grade 8
15	532 18 25-45	Handle Bracket Assembly, RH	57	532 12 51-62	Upstop Bracket
16	532 40 54-17	Spring, Rear Door, LH	58	532 75 06-34	Screw
17	532 40 54-18	Spring, Rear Door, RH	59	532 17 50-71	Discharge Deflector
18	532 13 20-04	Keps Locknut 1/4-20	60	532 17 57-35	Hinge Bracket
19	532 19 47-88	Rope Guide	61	532 19 30-00	Hinge Spring
20	532 41 05-36	Foot Guard, C.E.	62	532 17 56-50	Hinge Rod
21	532 05 45-83	Screw, Tapping 1/4-20 x 1/2	63	873 80 04-00	Nut, Hex
24	- - -	Engine, Briggs & Stratton, Model Number 124K02-0438-EA (order parts from engine manufacturer)	64	532 17 50-66	Mulcher Door
25	532 15 04-06	Hex Head Thread Rolling Screw 3/8-16 x 1-1/8	65	532 19 74-80	O-Ring
26	532 14 52-12	Hex Flange Nut	66	532 08 83-48	Washer, Flat
27	532 40 31-22	Wheel & Tire Assembly, Rear	96	532 19 79-91	Clip, Cable
28	532 16 08-28	Shoulder Bolt 5/16-18 x .33	- -	532 18 21-34	Decal, Warning, Internal, Self-Propelled (not shown)
30	532 40 25-71	Axle Arm Assembly, Rear, RH	- -	532 40 56-12	Operator's Manual, European
31	532 08 78-77	Selector Knob	- -	532 40 56-14	Operator's Manual, Scandinavian
32	532 19 01-57	Selector Spring	- -	532 40 56-15	Operator's Manual, E-Bloc
33	873 80 05-00	Nut 5/16-18	- -	532 40 56-17	Operator's Manual, Baltic

NOTE: All component dimensions given in U.S. inches. 1 inch = 25.4 mm. **IMPORTANT:** Use only Original Equipment Manufacturer (O.E.M.) replacement parts. Failure to do so could be hazardous, damage your lawn mower and void your warranty.

ROTARY LAWN MOWER -- MODEL NUMBER PP6553D (96141008102) PRODUCT NUMBER 961 41 00-81



ROTARY LAWN MOWER - - MODEL NUMBER PP6553D (96141008102) PRODUCT NUMBER 961 41 00-81

KEY NO.	PART NO.	DESCRIPTION	KEY NO.	PART NO.	DESCRIPTION
1	532 40 78-16	Drive Control Assembly, with Cable	38	873 80 04-00	Locknut, Hex 1/4-20
2	532 40 48-31	Bearing, Wheel Adjuster	40	532 40 65-58	Spring
3	532 17 52-62	Pan Head Tapping Screw #10-24 x 2-3/4	41	532 40 91-09	Kit, Wheel Adjuster, RH (Includes Knob and Bearing)
4	532 19 96-87	Hex Washer Head Screw 1/4-20 x 2.12	54	532 40 05-59	Grassbag
5	532 19 41-49	V-Belt	57	532 40 18-02	Frame, Grassbag
6	532 19 84-53	Control Bar, Drive	60	532 41 07-34	Case, Lower
7	532 19 17-30	Locknut, Hex #10-24	61	532 41 07-26	Case, Upper
9	532 40 91-48	Locknut	62	532 41 09-49	Shaft, Output
11	532 19 80-88	Wheel & Tire Assembly, Front (Driven)	63	532 18 35-08	Seal, Output Shaft
12	812 00 00-58	E-Ring	64	532 18 35-11	Bushing
13	532 40 38-49	Pinion Assembly	65	532 18 35-09	Washer
14	532 18 94-03	Dust Cover	66	532 18 35-14	Seal, Worm Shaft
15	532 19 10-17	Pawl, Drive	67	532 18 35-06	Bearing, Ball
16	532 06 77-25	Washer 1/2 x 1-1/2 x .134	68	532 41 07-29	Gear, 28 Teeth
18	532 08 78-77	Selector Knob	69	532 41 07-32	Fixed Dog Clutch
25	532 41 16-63	Belt Keeper	70	532 41 07-33	Pin
26	532 16 34-09	Screw	71	532 41 07-30	Movable Dog Clutch
28	532 18 14-68	Drive Cover	73	532 18 35-13	Screw, Case
32	532 19 40-18	Drive Pulley	78	532 41 07-31	Spring, Leaf
35	532 40 91-08	Kit, Wheel Adjuster, LH (Includes Knob and Bearing)	79	532 41 07-27	Shaft, Worm
36	532 40 48-33	Gearcase Assembly, Complete			

NOTE: All component dimensions given in U.S. inches. 1 inch = 25.4 mm. **IMPORTANT:** Use only Original Equipment Manufacturer (O.E.M.) replacement parts. Failure to do so could be hazardous, damage your lawn mower and void your warranty.